

Lamex̄

# Product Guide

---

## Ezee Task Chair

Updated:

December 15, 2024

Thank you for being our valued customer.

Please read this guide carefully before using. This guide contains information about the usage, precautions and assembly methods of this product. If you encounter any issues, please review this manual for guidance.

## **Contents**

1. Standard Applied .....	3
2. Certification .....	3
3. Manufacture Date .....	3
4. Instruction .....	3-7
5. Troubleshooting Guide .....	9
6. Safety Instruction .....	10
7. Using Cautions .....	11
8. Daily Maintenance .....	12

## Standard Applied

QB/T2280 Office Furniture Office Chair  
ANSI/BIFMA x5.1 General-Purpose  
Office Chairs  
GREENGUARD Certified

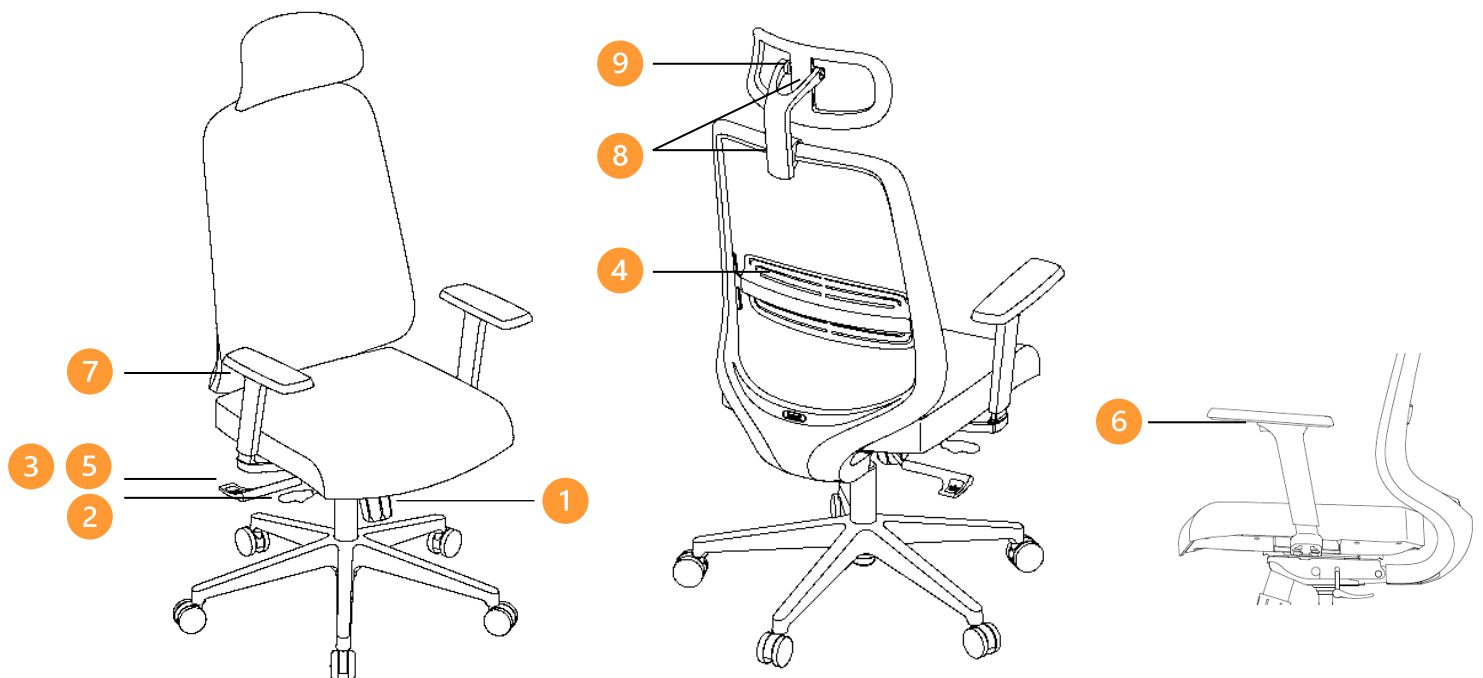
## Manufacture Date

Please refer to the  
product

## Certification

Qualified product

## Instruction Overview



1 Adjusting Recline Tension

2 Adjusting Seat Depth

3 Adjusting Seat Height

4 Adjusting Lumbar Support Height

5 Adjusting Recline Function

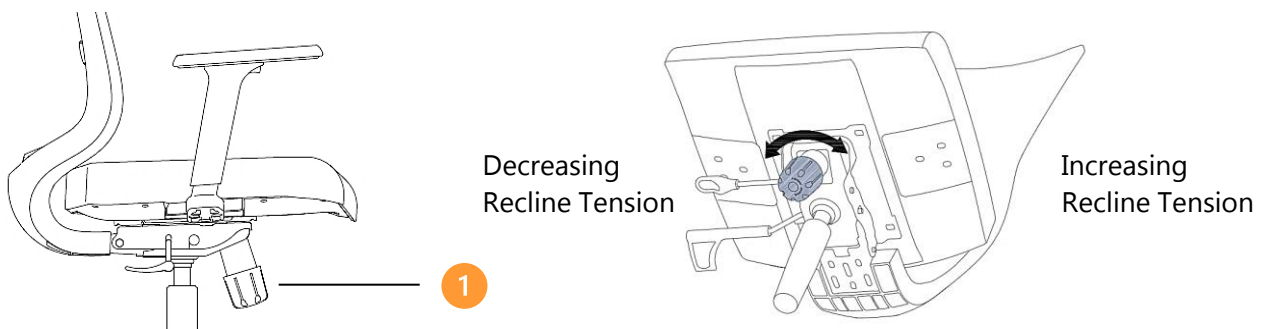
6 Adjusting Armrest Height

7 Adjusting Armrest Front and Rear

8 Adjusting Headrest Height

9 Adjusting Headrest Angle

## Adjusting Recline Tension

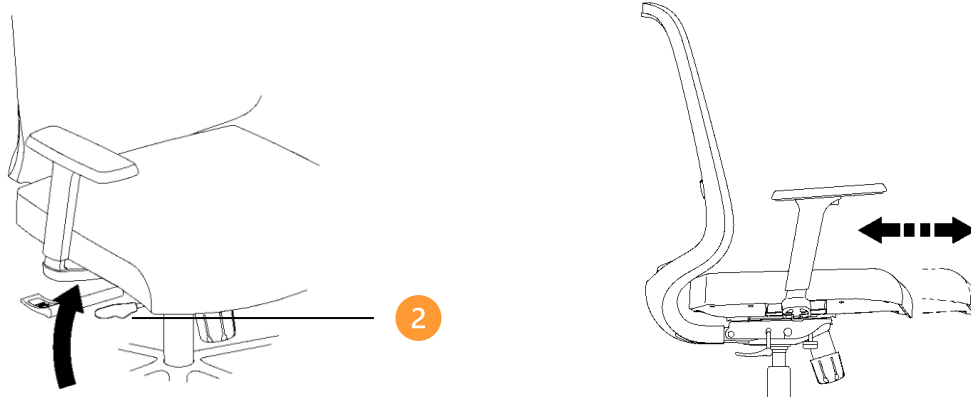


### 1 Adjusting Recline Tension

Adjust the knob located underneath the seat cushion.

Increasing recline tension, rotate the knob clockwise to increase the recline tension of the backrest. Decreasing recline tension, rotate the knob counterclockwise to decrease the tension of the backrest, allowing for a gentler recline.

## Adjusting Seat Depth (Optional)



### 2 Adjusting Seat Depth (Optional)

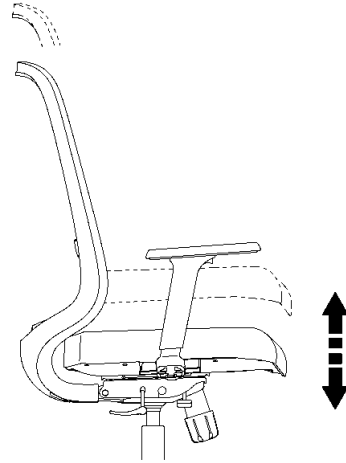
#### Moving the Seat Forward

While seated in the chair, lift the adjustment handle with your right hand without releasing it. Simultaneously, apply slight pressure by leaning back against the mesh backrest. Press down with your hips on the seat cushion, exerting a forward force. This action allows the seat cushion to slide forward.

#### Moving the Seat Backward

Lift the adjustment handle with your right hand without releasing it. Gently lift your hips to lift them off the seat cushion, causing the seat cushion to automatically slide backward. The seat can be adjusted forward and backward by 50mm.

## Adjusting Seat Height



### 3 Adjusting Seat Height

#### Raising the Seat

Use the tilt control handle located on the rear right side of the chair.

While in a slightly lifted position, gently lift the height adjustment handle upwards.

Raise the seat to the desired height and release the height adjustment handle.

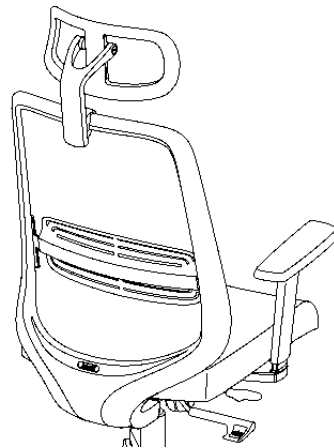
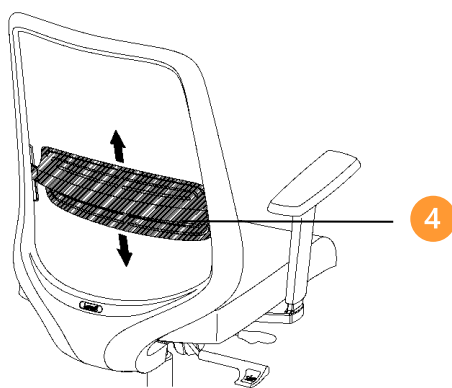
#### Lowering the Seat

While seated, lift the height adjustment handle to lower the seat to the desired height.

Release the height adjustment handle once the seat is at the desired height.

The seat height can be adjusted up and down by 100mm.

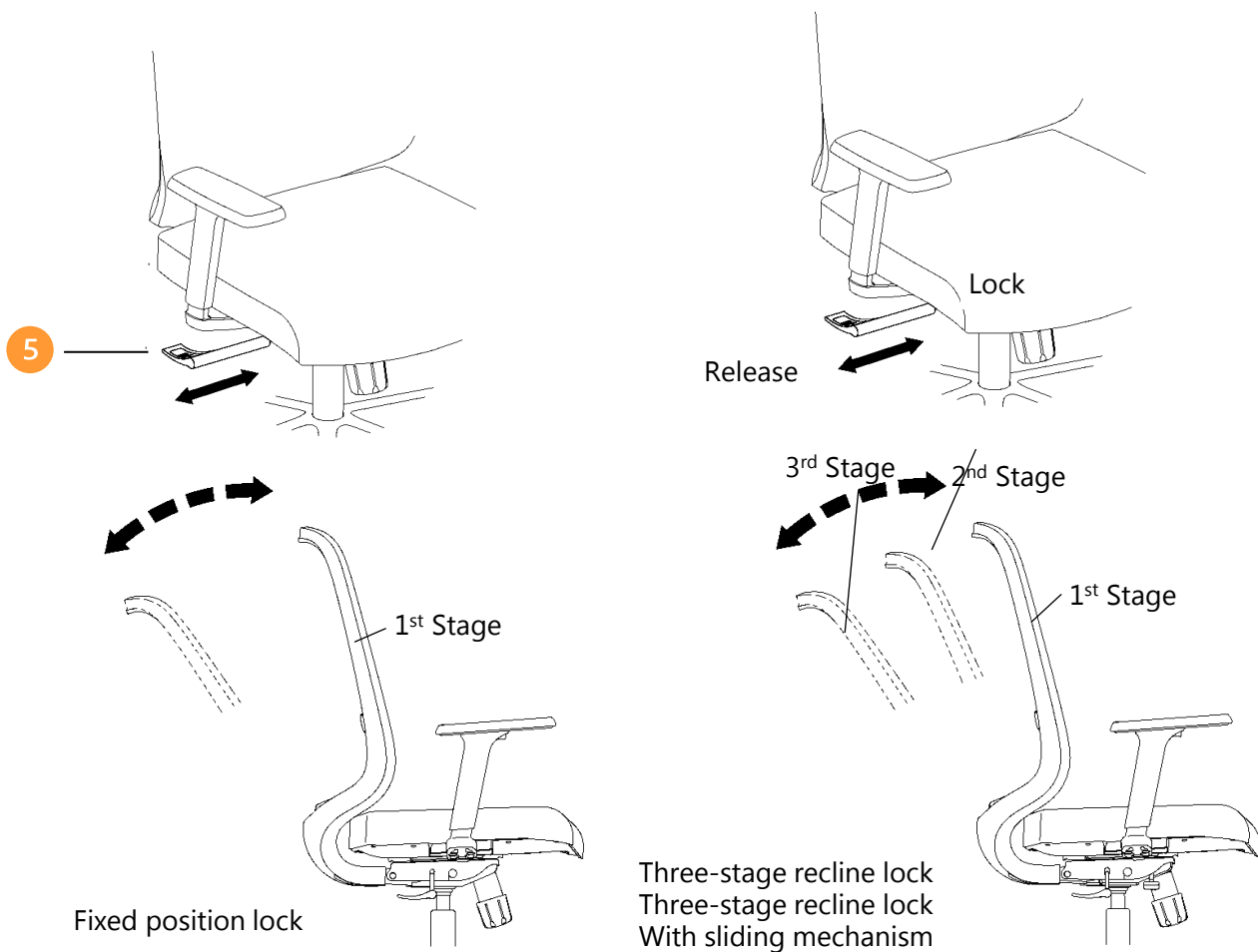
## Adjusting Lumbar Support Height (Optional)



### 4 Adjusting Lumbar Support Height

While seated in the chair, reach behind the backrest with both hands in opposite directions to grasp the ends of the lumbar support. Avoid pushing your back firmly against the chair's backrest. Simultaneously move the lumbar support up or down to the desired position. The lumbar support can be adjusted up and down by 60mm.

## Adjusting Recline Function



### 5 Adjusting Recline Function (Optional)

#### Locking the Recline

Sit on the chair and pull out the tilt control handle. Lean back to the desired angle. Insert the tilt control handle inward. Slowly return the backrest to an upright position until you hear a "click," indicating that the recline is locked.

#### Releasing the Recline

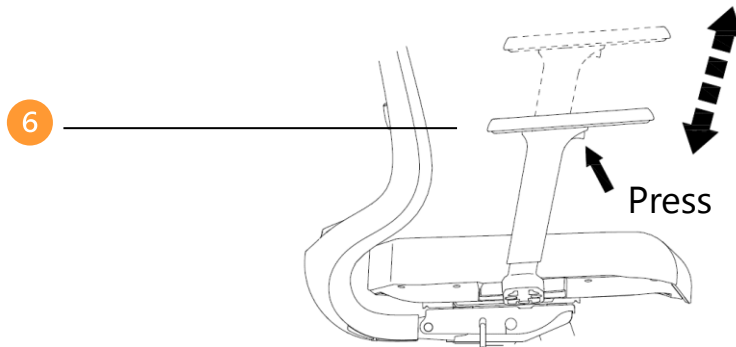
Sit on the chair and pull out the tilt control handle. Gently lean back until you hear a "click," indicating that the recline lock is released. Slowly return to an upright sitting position.

#### ⚠ Note:

This series is equipped with three types of mechanisms: 1. Fixed position lock 2. Three-stage recline lock 3. Three-stage recline lock with sliding mechanism. The fixed position lock can only lock the initial position of the backrest.

- The three-stage recline lock and three-stage recline lock with sliding mechanism have three lock positions.
- Three-Stage Recline Lock Angles: (98°/110°/119°)
- Three-Stage Recline Lock with Sliding Mechanism Angles: (98°/110°/121°)

## Adjusting Armrest Position



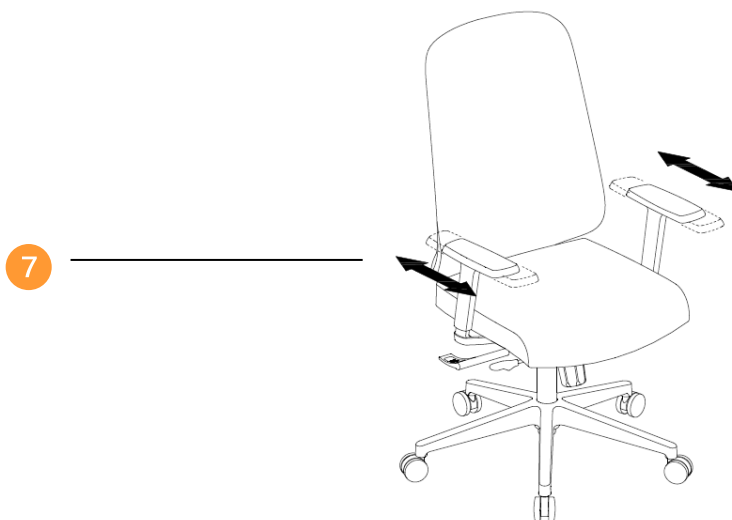
### 6 Adjusting Armrest Height

While seated in the chair, use your fingers to press the button located underneath the armrest pad to adjust the height of the armrest.

Release the button once the armrest reaches the desired height.

Ensure that the button fully pops out with a "click" sound, indicating it is locked in place (the button will return to its initial position).

The armrests can be adjusted approximately 70mm up and down.

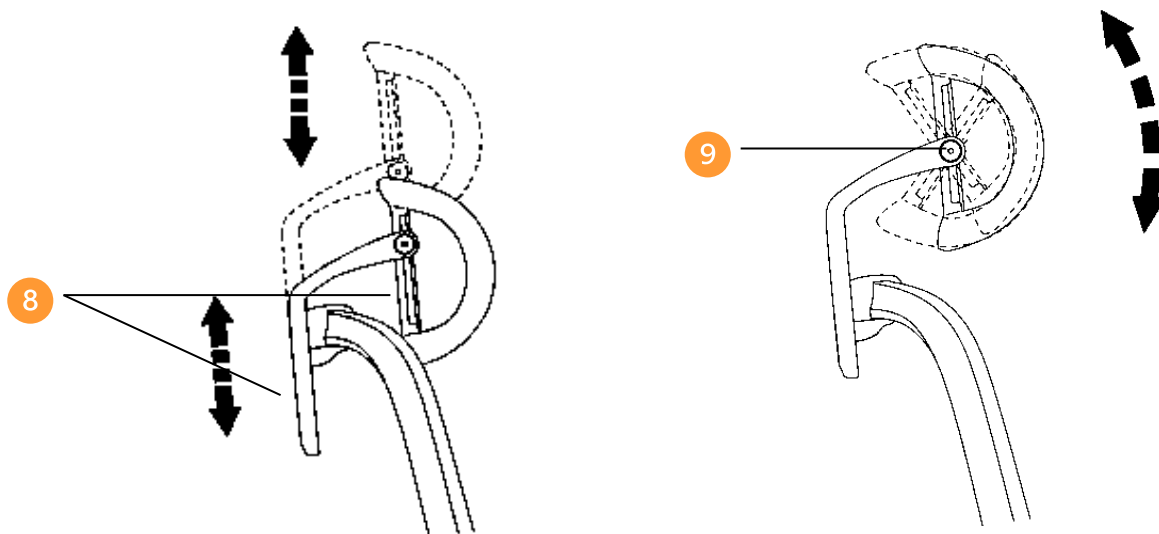


### 7 Armrest Front and Rear Adjustment

While seated in the chair, grasp the armrest pad and gently adjust it forward or backward until it reaches the desired position.

The armrests can be adjusted approximately 60mm forward and backward.

## Adjusting Headrest Position



### 8 Adjusting Headrest Height (Optional)

Grasp the sides of the headrest frame with both hands and gently adjust it up or down to the desired position. The headrest has a total adjustable height range of approximately 150mm in two stages.

### 9 Adjusting Headrest Angle (Optional)

Grasp the sides of the headrest frame with both hands and gently rotate it to the desired angle. The headrest angle can be adjusted within a range of approximately 60 degree.

## Ezee Adjustment Guide Video



Youku



YouTube

## Ezee Chair Quality Test Video



Youku



YouTube





## 5. Troubleshooting Guide

Problem	Action
The seat /armrest /backrest/ headrest shake abnormally	»»» Check if the screws are loose
The casters roll hardly	»»» Confirm if the usage environment is suitable for soft floors such as carpets with nylon casters Check if there are any foreign objects such as hair or yarn wrapped around the casters. In this case, please remove the foreign objects or replace the casters
The backrest cannot recline or recline unsmooth with noise	»»» Please follow the "Instruction ( <span style="background-color: #f4a460; border-radius: 50%; padding: 2px 5px;">4</span> Adjusting Recline Function)" to adjust. If it still cannot be restored, please contact sales or customer service
The seat cannot raise/lower or lock	»»» Please contact sales or customer service
The headrest angle adjustment is very loose and cannot reach the desired angle	»»» Check if the screws on both sides of the headrest pivot are too loose
The headrest cannot reach the desired position	»»» Check if the installation screws are loose. If they still cannot be restored, please contact sales or customer service.

## 6. Safety Instruction

NOTICES BELOW ARE SAFETY REMINDERS FOR YOU AND OTHERS WHICH WILL HELP AVOID DANGER OR HARM THAT SHOULD OCCUR BECAUSE OF INAPPROPRIATE USE OF THE PRODUCT. THESE SAFETY NOTICES ARE CRITICAL TO SAFE USE AND SHOULD BE ABIDED BY STRICTLY.



### Warning

When assembling the product, scan the QR code at the bottom of the seat cushion and strictly follow the assembly instructions. Incorrect assembly may lead to potential risks of death or serious injury.



### Caution

Incorrect assembly may result in minor injuries or potential material damage.



### Warning

- Disassembly or heating of the gas spring is strictly prohibited.
- When repair or replacement of the gas spring is required, always seek assistance from a professional. Do not attempt to do it yourself.

Regarding Casters:

- Please use appropriate casters. For soft floors (such as carpets), use hard nylon casters.
- Avoid using this chair near a heat source as materials like foam, fabric, and plastic components can char and deform, potentially leading to a fire hazard.
- Prevent contact with sharp objects or high-temperature items like irons to avoid scratching or burning the seat.

Adhering to the following guidelines can extend the product's lifespan:

- This product is intended for indoor use. When used outdoors and exposed to water, it may lead to malfunctions, rusting, or discoloration.
- Avoid placing the product in direct sunlight, near sources of heat like stoves, or in excessively damp or dry environments, as this can cause discoloration, deformation, or brittleness.
- Immediately wipe up spilled water, beverages, or other liquids to prevent surface discoloration, cracking, or warping.
- Regularly check the tightness of connectors. If screws become loose and produce unusual sounds, tighten them securely.
- Refrain from excessively adjusting armrests, headrests, and other components on a daily basis.

## 7. Using Cautions

- ✓ This product is designed for single-person use only.
- ✓ Ensure all chair casters are in contact with the ground before use.
- ✓ When sitting down, always hold onto the chair as the rolling casters may cause the chair to shift position. (Especially for high chairs)
  
- ⊘ Do not allow children to use the product unsupervised.
- ⊘ Avoid sitting with both feet lifted off the ground on the product. (Especially important for children)
- ⊘ Do not exert excessive force on the headrest.
- ⊘ Do not hang heavy objects on the headrest.
- ⊘ Do not use the product for purposes other than sitting.
- ⊘ Do not sit on areas other than the seat, backrest, or armrests
- ⊘ Do not apply lubricants to movable parts.
- ⊘ Avoid forcefully pushing the chair under a table as impacts between the furniture can lead to product damage.
- ⊘ If the fabric or cushion is damaged, discontinue use as internal structures may cause injury or clothing damage.
- ⊘ Do not press the height adjustment lever after flipping the product, as suddenly extending chair legs can cause injury.
- ⊘ Do not sit in reverse on the chair or on areas outside the seat.
- ⊘ Avoid sitting on the edge of the seat cushion.
- ⊘ Do not use the product as a gymnastics apparatus, transportation cart, or for games, as falls or product damage may result in injury. (Especially important for children)
- ⊘ Do not stand or sit on the product or use it as a substitute for steps, as falls and drops can cause injury. (Especially important for children)
- ⊘ Avoid using the product on sloped, uneven, or unstable surfaces, as tipping over can lead to injury.
- ⊘ Do not place hands, phones, or other items in the gaps of movable parts, as this can cause injury or item damage.
- ⊘ Do not use the product if screws are loose; tighten them promptly.
- ⊘ Pilling and discoloration of mesh fabric during use are considered normal occurrences. Please use with confidence.

## 8. Daily Maintenance

Please adhere to these cleaning and maintenance guidelines to ensure the product remains in good condition and to extend its lifespan.

### ① **Cleaning of Plastic and Metal Parts (excluding Aluminum Polished Parts)**

- √ For daily maintenance, use a soft dry cloth to wipe the surfaces.
- √ For visible dirt:
  1. Dampen a cloth with diluted neutral detergent, wring it out, and wipe the dirty areas.
  2. Dampen another cloth with clean water, wring it out, and wipe the areas to remove any detergent residue.
  3. Use a soft dry cloth to wipe off any remaining moisture.
- ✘ Avoid using alcohol, diluted solutions, or acidic/alkaline cleaners on the surface as they may cause rusting and discoloration.

### ② **Cleaning of Metal Parts (Aluminum Polished Parts)**

- √ For regular maintenance, use a soft dry cloth made of fine fibers.
- ✘ Avoid using alcohol, diluted solutions, or acidic/alkaline cleaners on the surface to prevent discoloration.

### ③ **Cleaning of Fabric**

- √ For daily maintenance, gently pat the fabric surface by hand or use a vacuum cleaner to remove dust.
- ✘ Avoid using microfiber cleaning cloths with chemical stain removers and alcohol-based solvents to prevent surface discoloration.
- ✘ When using cleaning agent and other products sold on the market, please read its instructions carefully before using.

### ④ **Cleaning of Leather**

- √ For daily maintenance, use a soft dry cloth to wipe the surface.
- √ For visible dirt:
  1. Dampen a cloth with diluted neutral detergent, wring it out, and wipe the dirty areas.
  2. Dampen another cloth with clean water, wring it out, and wipe the areas to remove any detergent residue.
  3. Use a soft dry cloth to wipe off any remaining moisture.
- ✘ Avoid using microfiber cleaning cloths, alcohol, diluted solutions, or acidic/alkaline cleaners on the surface to prevent discoloration and deformation.

### ⑤ **Long-Term Maintenance**

- √ When not in use for an extended period, cover the product with a light-blocking material and ensure it is protected from moisture and humidity.

Company: Dongguan Lamex Furniture Co., Ltd.  
Address: No. 191, Huanshi East Road, Tangxia Town  
Dongguan City, Guangdong Province, China  
Website: [www.lamex.com](http://www.lamex.com)  
Postal Code: 523712  
Service Hotline  
Mainland China: (86) 400 686 8073  
(86) 800 820 6073  
Hong Kong and Asia Pacific: (852) 2828 6000